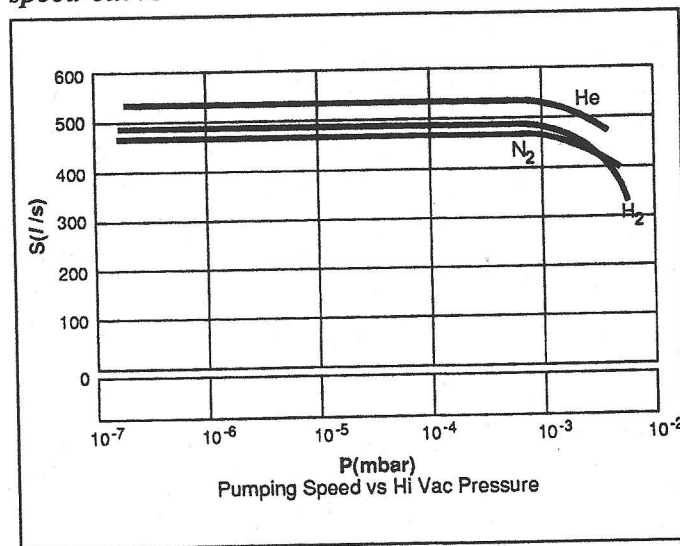


Turbo-V450A™ Turbomolecular Pump



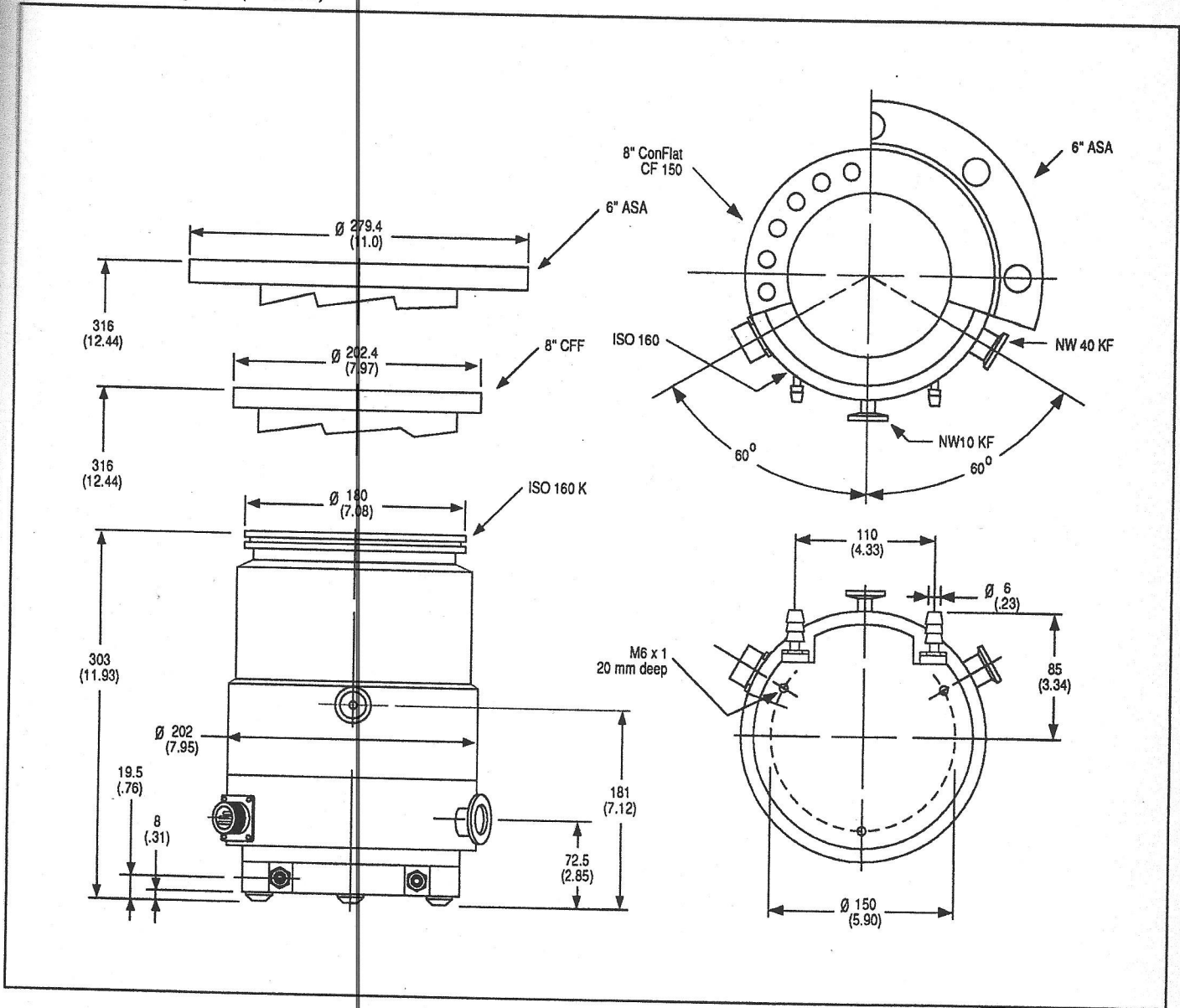
speed curve



specifications

	N ₂	He	H ₂
Pumping Speed l/s:	470	530	490
Compression Ratio:	1x10 ⁹	3x10 ⁴	2x10 ³
Base Pressure:	4x10 ⁻¹⁰ Torr (5x10 ⁻¹⁰ mbar)		
Rotational Speed:	36,000		
Recommended Forepump:	SD-300		
Start-up Time:	3 minutes		
Operating Position:	Vertical or Inverted		
Interstage Vent Port:	NW10 KF		
Maximum Bakeout Temperature:	120°C at Inlet Flange		
Water Flow Rate:	30 l/h (0.13 gpm)		
Pressure:	2 - 4 bar (30 60 PSI)		
Temperature:	10° - 25°C		
Noise Level:	< 50 dB (A) at 1 M		
Operating Ambient Temperature:	5° - 35°C		
Weight:	25 kg		
Vibration Level:	<0.02 microns		

outline drawing mm(inches)



ordering information

	Order Number**	Shipping Wt. (lb/kg)	Price
Turbo-V450A Pump with 8" O.D. ConFlat Inlet	969-9045	62/28	On Request
Turbo-V450A Pump with ISO 160 Inlet	969-9044	62/28	On Request
Turbo-V450A Pump with 6" ASA Inlet	969-9046	62/28	On Request
Turbo-V450 Controller and Cables, Factory Set for 120V	969-9542	29/13	3,245
Turbo-V450 Controller and Cables, 220V	969-9442	29/13	3,245
Inlet Screen for Turbo-V450A *	969-9303	1/0.5	115
accessories			
V450 Air Cooling Kit	969-9324	6/3	315
Heater Band 120V	969-9808	3/1.5	260
220V	969-9807	3/1.5	260
Rack Adaptor for Controller	969-9191	4/2	205
Vent Device	969-9831	5/2.2	1,095
Vent Valve with fixed time delay	969-9833	4/2	450
Emergency Vent Valve	969-9832	1/0.5	295
Rotary converter 60 Hz	969-9741		On Request
50 Hz	969-9641		On Request

* Optional inlet screen is highly recommended.

** Order controller and inlet screen separately. For controller description, see pages 118 and 119.